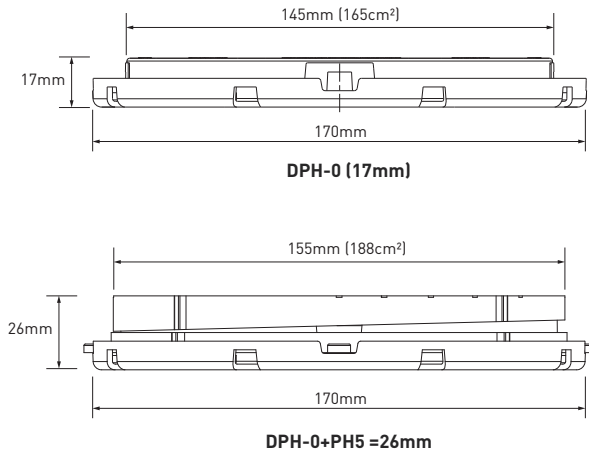


DPH-0 - height 17mm



Height range

17mm, not adjustable. Addition of PH5 slope corrector gives 0-5% slope correction.

Material

Co-polymer polypropylene (CPP), material thickness 2 to 5mm.
Composition: 80% CPP **recycled**, 20% talc + UV master batch black, and 100% recyclable.

Dimensions

Base- diameter 170mm, surface area 227cm².
Top - diameter 145mm, surface area 165cm².

Performance characteristics

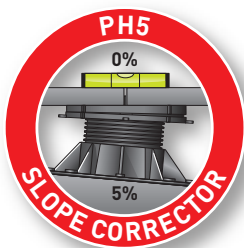
Resistant to aging, poor weather conditions, UV light, almost all chemicals, and rot proof.

Suitable for use in temperatures from -50°C to +90°C.

Application

Support for raised floors and roofs in outdoor areas. Can support any kind of timber decking or ceramic, stone, concrete paving or flag material, as well as fibre glass or metal grid panels.

Suitable for any kind of stable substrate, including applications directly over insulation panels.



Slope corrector PH5

Can be simply and rapidly fitted to pedestal. Provides slope correction from 0-5% (in 0.5% intervals). Adds 9mm to pedestal depth.



Accessories

Spacer tabs: For achieving uniform gaps between used decking material. Available in 2, 4.5, 6, 8 and 10mm. Fixed to top of pedestal by clipping in only. **Tab height - 25mm.**



2mm



4.5mm



6mm



8mm



10mm

Joist support: Supports timber, aluminium or composite battens for most decking systems.



Joist max. 65mm
Thickness 4mm

Shim: Enhances acoustic performance and can help level uneven paving materials.



1mm and 2mm
thickness

EPDM -60 Shore

Load capacity [1 daN = 1kg/f = 2.23lb/f]

Tests executed with load bearing on central (1/1), half (1/2) and quarter (1/4) position on the pedestal.

Position	Load (daN)	Load (lbf)
1/1	5450	12154
1/2	2820	6289
1/4	1460	3256

Important note:

- a) Safety for pedestrian surfaces: divide load indicated by 2, with a safety factor of -15%
[5450kg ÷ 2 = 2725kg -15% = 2316kg allowable in position 1/1].
- b) Safety for technical floors: divide load indicated by 4, with a safety factor of -15%.
[5450kg ÷ 4 = 1362kg -15% = 1158kg allowable in position 1/1].



Buzon Pedestal International s.a. / n.v.

Z.I. des Hauts-Sarts, Zone 1 - Prolongement rue de l'Abbaye, 134 - B-4040 Herstal - Belgium

Tel +32 (0) 4 248 39 83 Fax +32 (0) 4 264 82 38 E-Mail info@buzon-world.com www.buzon-world.com