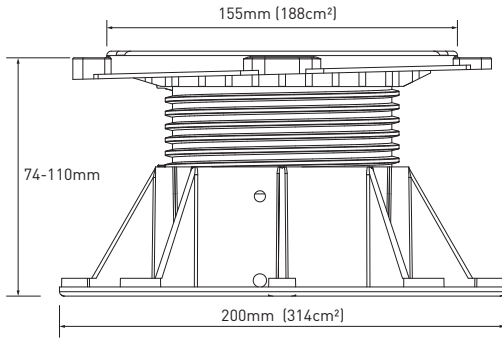


DPH-4 - height 74-110mm



Height range

Adjustable uninterrupted from 74 to 110mm with slope correction of 0-5%.

Composition

The DPH-4 is comprised of 3 components (base, head and slope corrector).

Material

Co-polymer polypropylene (CPP), material thickness 2 to 5mm.

Composition: 80% CPP **recycled**, 20% talc + UV master batch black, and 100% recyclable.

Dimensions

Top - diameter 155mm, surface area 188cm²

Base - diameter 200mm, surface area 314cm².

Performance characteristics

Resistant to aging, poor weather conditions, UV light, almost all chemicals, and rot proof.

Suitable for use in temperatures from -50°C to +90°C.

Application

Support for raised floors and roofs in outdoor areas. Can support any kind of timber decking or ceramic, stone, concrete paving or flag material, as well as fibre glass or metal grid panels.

Suitable for any kind of stable substrate, including applications directly over insulation panels.



Integral slope corrector

Pre-integrated in the head of the pedestal. Provides slope correction from 0-5% (in 0.5% intervals).

Accessories

Spacer tabs: For achieving uniform gaps between used decking material. Available in 2, 4.5, 6, 8 and 10mm. Fixed to top of pedestal by clipping in only. **Tab height - 25mm.**



2mm



4.5mm



6mm



8mm



10mm

Joist support: Supports timber, aluminium or composite battens for most decking systems.

Shim: Enhances acoustic performance and can help level uneven paving materials.



Joist max. 65mm
Thickness 4mm



1mm and 2mm
thickness
EPDM -60 Shore

Load capacity [1 daN = 1kg/f = 2.23lb/f]

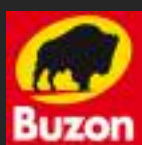
Tests executed with load bearing on central (1/1), half (1/2) and quarter (1/4) position on the pedestal.

Position	Height (mm)	Slope	Load (daN)	Load (lbf)
1/1	90	0%	2920	6512
1/2	90	0%	1680	3746
1/4	90	0%	900	2007
1/1	110	5%	1550	3547
1/2	110	5%	1040	2319
1/4	110	5%	620	1383

Important note:

a) Safety for pedestrian surfaces: divide load indicated by 2, with a safety factor of -15% (2920kg ÷ 2 = 1460kg -15% = 1241kg allowable in position 1/1).

b) Safety for technical floors: divide load indicated by 4, with a safety factor of -15%. (2920kg ÷ 4 = 730kg -15% = 620.5kg allowable in position 1/1).



Buzon Pedestal International s.a. / n.v.

Z.I. des Hauts-Sarts, Zone 1 - Prolongement rue de l'Abbaye, 134 - B-4040 Herstal - Belgium

Tel +32 (0) 4 248 39 83 Fax +32 (0) 4 264 82 38 E-Mail info@buzon-world.com www.buzon-world.com