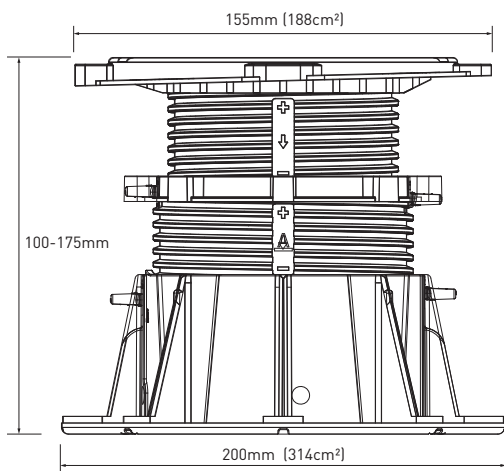


DPH-5 - height 100-175mm



Keys: security locking key to fix pedestal at the height required.

Height range

Adjustable uninterrupted from 100 to 175mm with slope correction of 0-5%.

Composition

The DPH-4 is comprised of 4 components (base, head, slope corrector and adjustment ring) and 4 security locking keys.

Material

Co-polymer polypropylene (CPP), material thickness 2 to 5mm.

Composition: 80% CPP **recycled**, 20% talc + UV master batch black, and 100% recyclable.

Dimensions

Top - diameter 155mm, surface area 188cm²

Base - diameter 200mm, surface area 314cm².

Performance characteristics

Resistant to aging, poor weather conditions, UV light, almost all chemicals, and rot proof.

Suitable for use in temperatures from -50°C to +90°C.

Application

Support for raised floors and roofs in outdoor areas. Can support any kind of timber decking or ceramic, stone, concrete paving or flag material, as well as fibre glass or metal grid panels.

Suitable for any kind of stable substrate, including applications directly over insulation panels.



Integral slope corrector

Pre-integrated in the head of the pedestal. Provides slope correction from 0-5% (in 0.5% intervals).

Accessories

Spacer tabs: For achieving uniform gaps between used decking material. Available in 2, 4.5, 6, 8 and 10mm. Fixed to top of pedestal by clipping in only. **Tab height - 25mm.**



2mm



4.5mm



6mm



8mm



10mm

Joist support: Supports timber, aluminium or composite battens for most decking systems.

Shim: Enhances acoustic performance and can help level uneven paving materials.



Joist max. 65mm
Thickness 4mm



1mm and 2mm
thickness

EPDM -60 Shore

Load capacity (1 daN = 1kg/f = 2.23lb/f)

Tests executed with load bearing on central (1/1), half (1/2) and quarter (1/4) position on the pedestal.

Position	Height (mm)	Slope	Load (daN)	Load (lbf)
1/1	120	0%	2020	4505
1/2	120	0%	1325	2955
1/4	120	0%	800	1784
1/1	140	0%	1870	4170
1/2	140	0%	1230	2743
1/4	140	0%	710	1583
1/1	175	5%	1640	3657
1/2	175	5%	1160	2587
1/4	175	5%	850	1896

Important note:

- a) Safety for pedestrian surfaces: divide load indicated by 2, with a safety factor of -15%
[2020kg ÷ 2 = 1010kg -15% = 858.5kg allowable in position 1/1].
- b) Safety for technical floors: divide load indicated by 4, with a safety factor of -15%.
[2020kg ÷ 4 = 505kg -15% = 429.2kg allowable in position 1/1].



Buzon Pedestal International s.a. / n.v.

Z.I. des Hauts-Sarts, Zone 1 - Prolongement rue de l'Abbaye, 134 - B-4040 Herstal - Belgium

Tel +32 (0) 4 248 39 83 Fax +32 (0) 4 264 82 38 E-Mail info@buzon-world.com www.buzon-world.com