



REQUIRE THE MARK

# Adjusting the slope corrector from 0 to 5% DPH-5-PP-A4

**Simple, easy and fast**

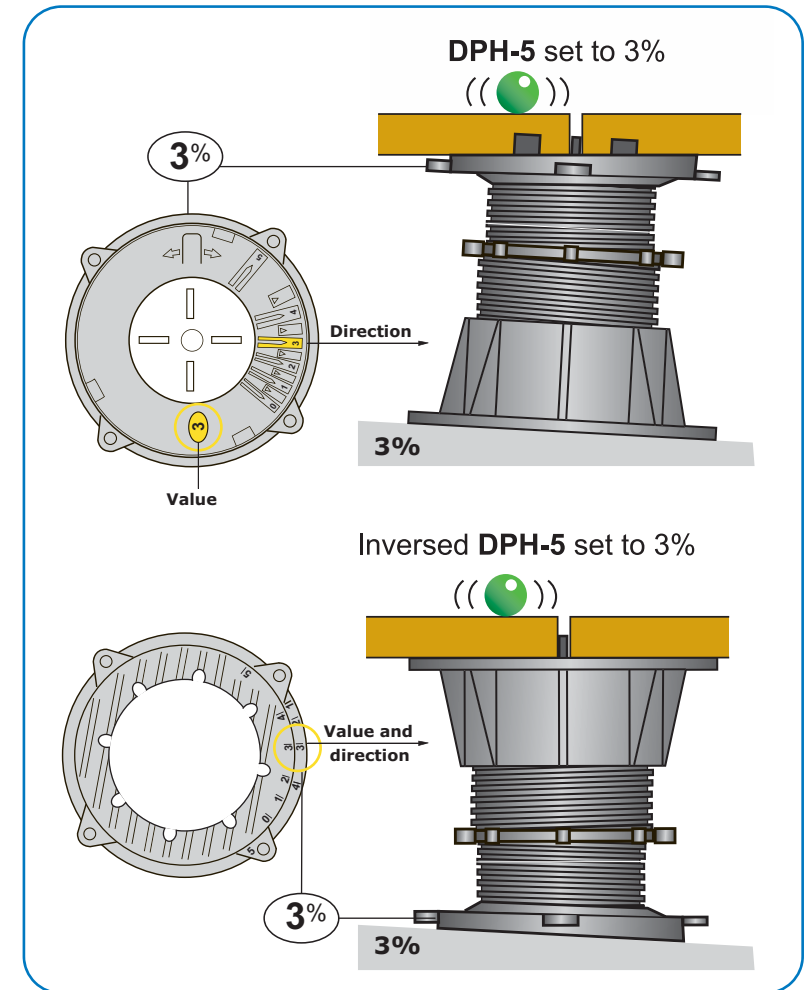
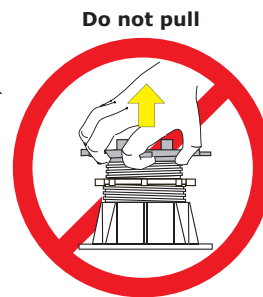
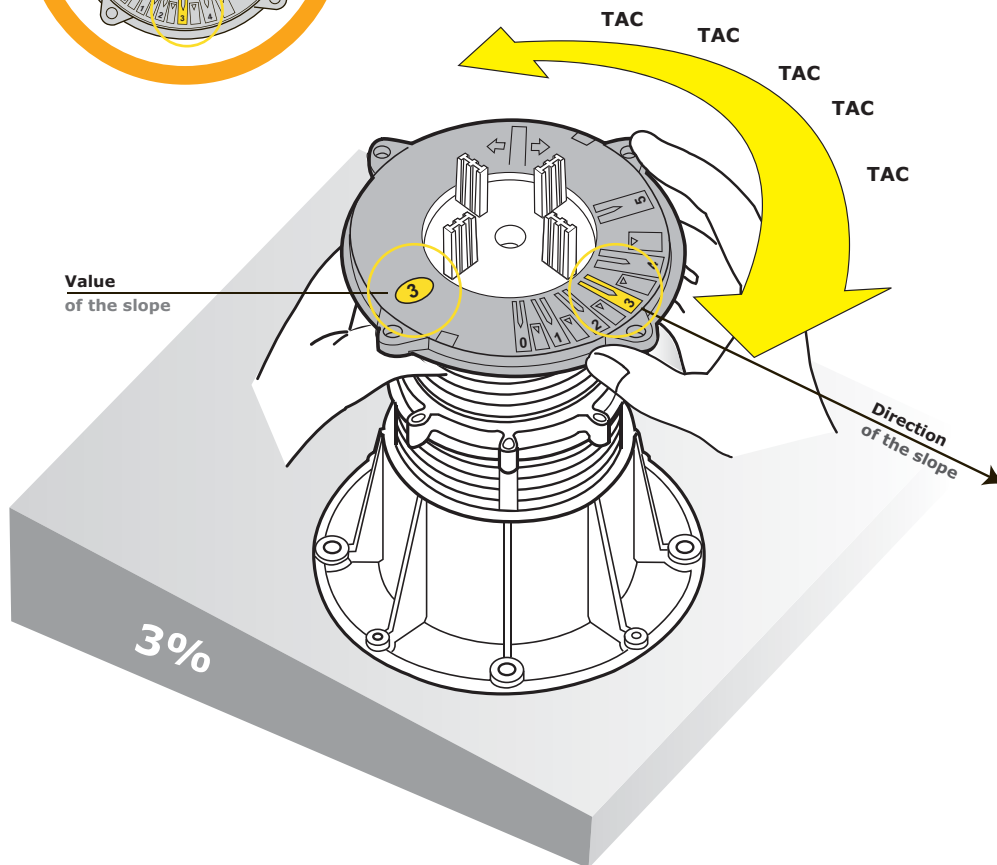
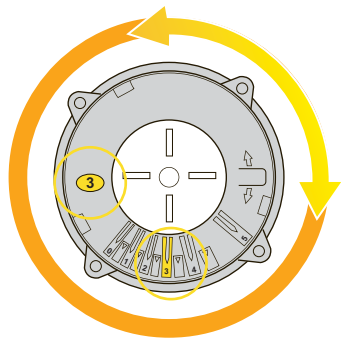
**Adjustable in one movement**

Example: on sloping substrate of 3%

Turn the slope corrector **clockwise or anti-clockwise** and set it to **3**

Adjust the slope corrector in the direction of the pointing to the direction of the downward slope **3**

**OUR SLOPE CORRECTOR SAVES YOU TIME WHEN COMPARED WITH OTHER SYSTEMS**



**BUZON, inventor of the slope corrector system**  
Silver medal for Innovations at Batimat Paris 1997  
International Patent