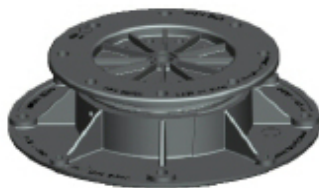




Batten Holder

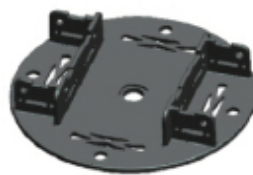


DPH-2-PP-SA + Base Support



DPH2 Plot
35-53mm

+



Base Support
2mm

+

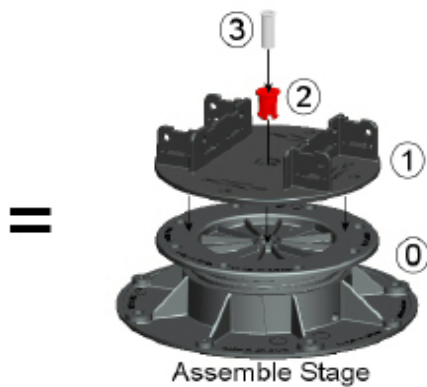


Rack Medium

+



Pin clips
25mm



Assemble Stage

=



complete Assemble
37-55mm



Applications

